

View Glass Balustrade

Minimalist balustrading system which combines the most trend setting esthetic with the highest demands in safety.

It consists of a system in "U" designed to lodge laminated safety glass and which can be fixed to wrought iron or to the edge of the iron work. It is possible the installation flush with the pavement.

It comes in two versions:

-View Glass which can resist a windload of 1,0 kN/m applied at 1.1 metres from its bottom part, therefore being suitable for its use in the following areas: A1, A2, B, C1, C2, C3, C4 and E, in accordance with Eurocode 1.

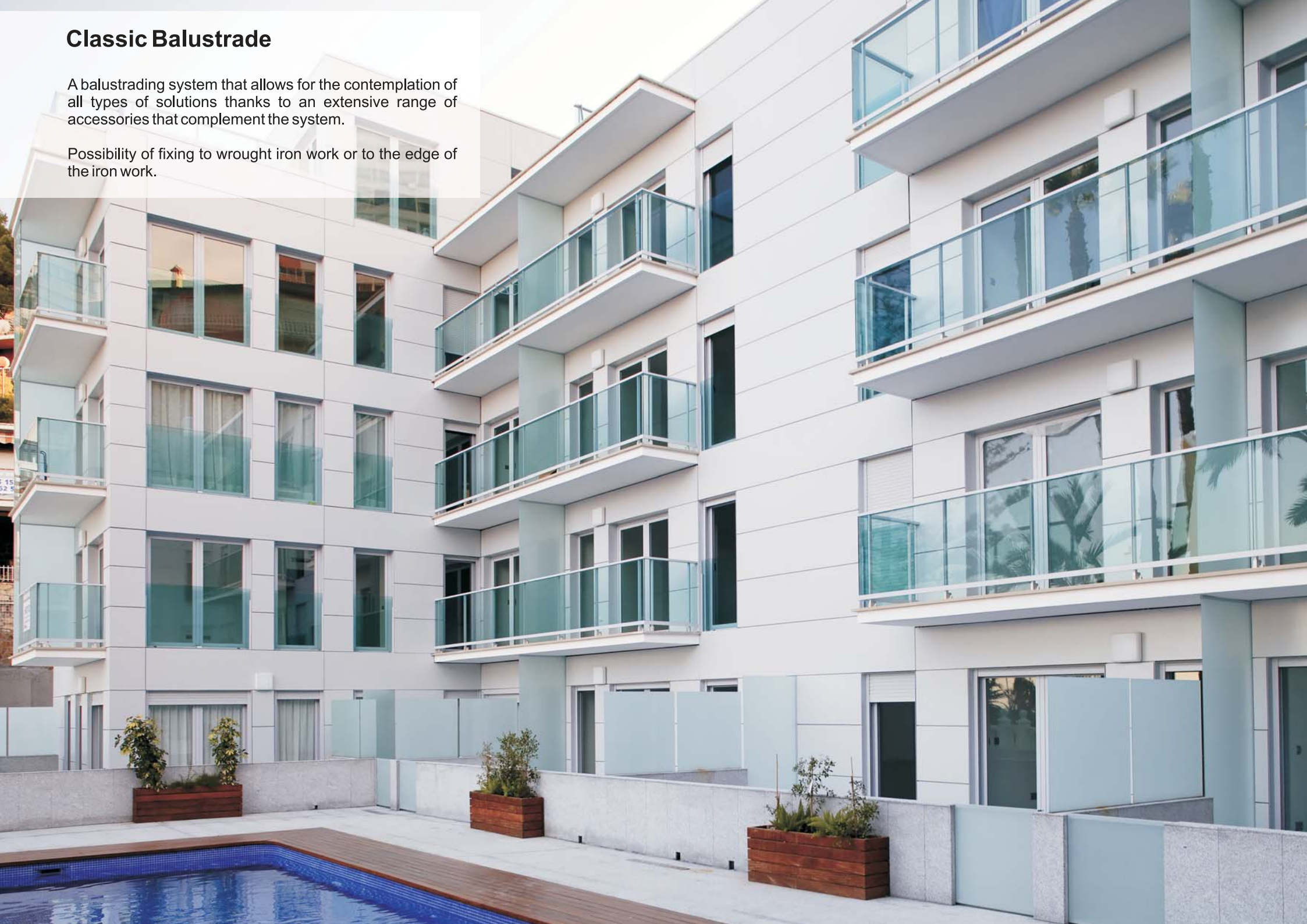
-View Glass Pro, reinforced system which can resist a windload of 3,0 kN/m. This system, with a greater resistance, is suitable for use in the areas A, B, C, D and E of the Eurocode 1.



Classic Balustrade

A balustrading system that allows for the contemplation of all types of solutions thanks to an extensive range of accessories that complement the system.

Possibility of fixing to wrought iron work or to the edge of the iron work.



View Glass Balustrade

Possibilities

- Assembly above slab
- Assembly above slab flush
- Assembly in front of the slab:
 - Flush with the slab
 - Flush with the pavement

Finishes

- Colour powder coating (RAL, mottled and rough)
- Wood effect powder coating
- Anti-bacterial powder coating
- Anodized

Maximum height

1,100 mm.

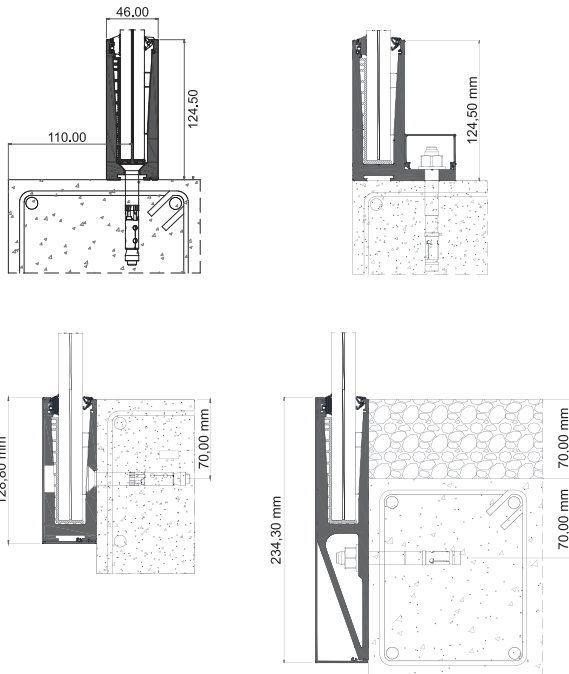
Tests according to UNE 85237:1991, UNE 85.238:1991 and UNE 85240:1990 norms, requirements established in Eurocode 1 according to EN 1991-1-1:2003 /AC: 2010

- 1 – Static horizontal test towards the exterior.
- 2 – Static horizontal test towards the interior.
- 3 – Dynamic test with mild object.
- 4 - Dynamic test with hard object.
- 5 – Verification of the specifications of the Eurocode according to the table 6.12 for categories of use of 3kN/m.

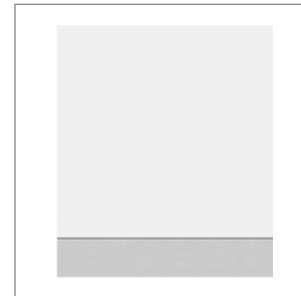
CLASSIFICATION ACCORDING TO UNE 85240:1990:
Class A-EXCELLENT

Reference test on the balustrading with extruded aluminum and glass, with top free edge bar at total height 1100mm. (H) x 1500mm. (L)

Reference test on the balustrading with extruded aluminum and glass, at total height 1100mm. (H) x 1500mm. (L)



VIEW GLASS PRO (reinforced version)



Glass

This balustrade system enables 12 glazing possibilities:
10, 8 or 6 mm double glass joined by up to 4 polyvinyl butyrals of 0.38 mm.
The use of tempered glass is recommended.

GLASS				
COMPOSITIONS				TYPE
10- 1.52 -10	10- 1.14 -10	10- 0.76 -10	10- 0.38 -10	LAMINATED
8- 1.52 -8	8- 1.14 -8	8- 0.76 -8	8- 0.38 -8	
6- 1.52 -6	6- 1.14 -6	6- 0.76 -6	6- 0.38 -6	

Classic Balustrade

Possibilities

- Glass Balustrading
- Glass Balustrading with free top edge
- Bar Balustrading
- Bar Balustrading with top edge

Handrail possibilities

- Square - 60 mm. width
- Circular - 66 mm diameter
- Elliptical - 80 mm. external perimeter

Finishes

- Colour powder coating (RAL, mottled and rough)
- Wood effect powder coating
- Anti-bacterial powder coating
- Anodized

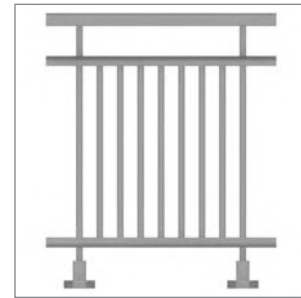
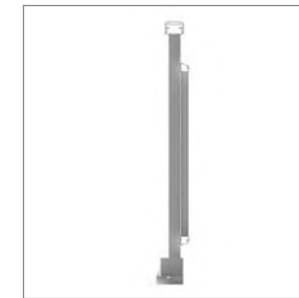
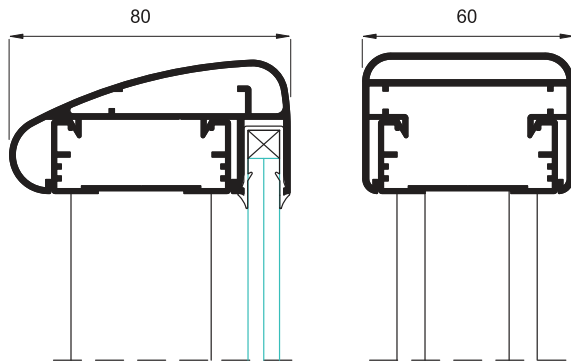
Tests according to EN 85.237-1991 norms EN 85.238-1991 & EN 85.240-1990

- 1-Static horizontal test towards the exterior
- 2-Static horizontal test towards the interior
- 3-Static vertical test
- 4-Dynamic test with mild object
- 5-Dynamic test with hard object
- 6-Security test

(EN 85.240:1990): Class A- EXCELLENT

Reference test on the balustrading with glass at total height 1.100 mm.(H) x 2.450 mm.(L) and 3 pilasters.

Reference test on the balustrading with top free edge bar of 1100 mm (H) x 2000 mm (L) and 3 pilasters



Maximum dimensions between pilasters

1.000 mm.

Minimum height

900 mm.